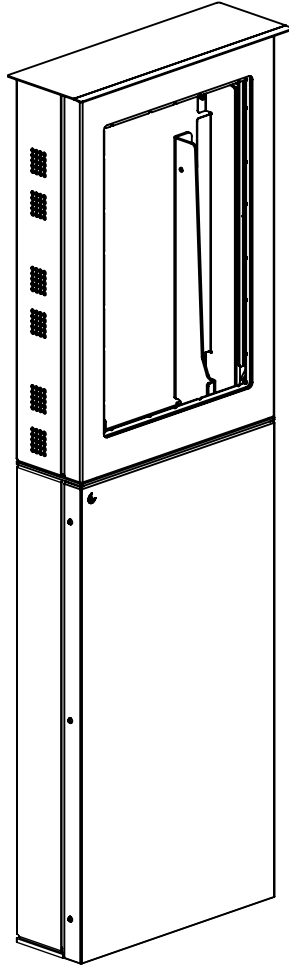


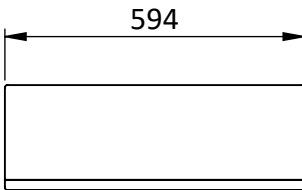
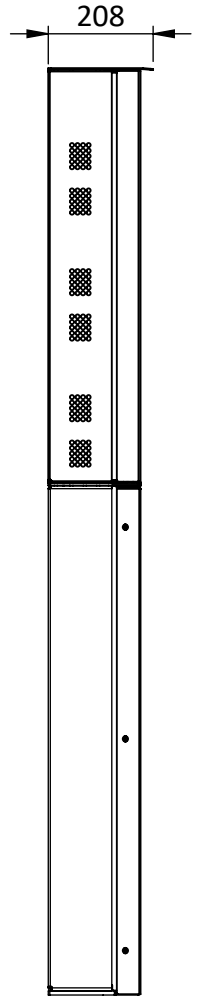
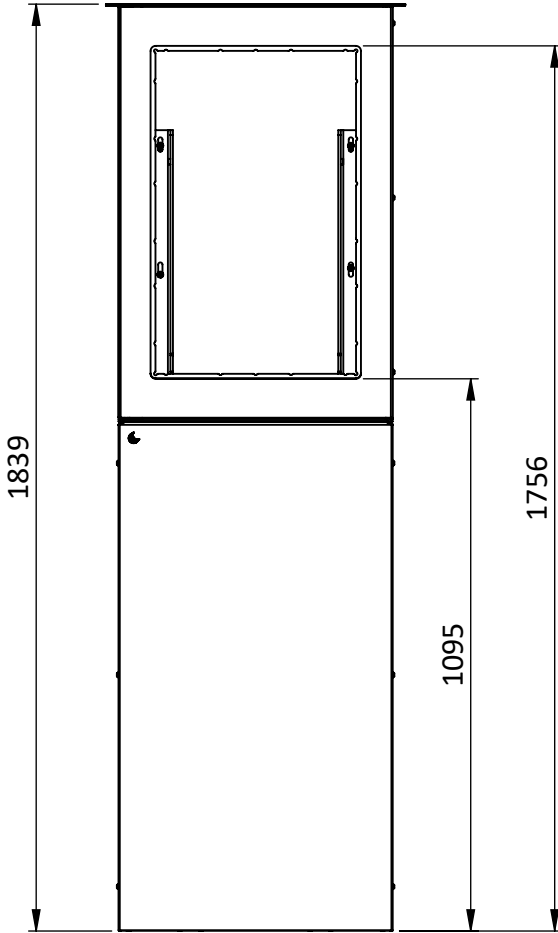
# Installation Guide

Outdoor Floorstand  
Kiosk SPOF000000



# Dimensions [mm]

SPOF000000





# CAUTION

- Be sure to read & understand the entire installation guide, before starting the installation.
- This product must be installed by a professional installer. More than one person needs to be involved in the installation of this product.
- This product is designed to be mounted on a flat concrete surface. Before installation please verify that the supporting surface can bear the combined weight of the solution and hardware.
- Do not overtighten the fixings.
- Do not scratch the surface of the solution during installation, as it can lead to corrosion over time.
- The maximum weight limit for hardware (screen, accessories etc.) for this solution is 25 kg. Do not exceed the stated weight limit.
- It is the responsibility of the installer to use the appropriate chemical anchors for the specific installation location. Please follow the fixing suppliers recommendations for installation. The anchors should as a minimum be thread size M12 with steel grade 8.8 or equivalent.
- This product is intended for outdoor use. Installation cannot take place in rough weather conditions (strong winds, heavy rain or snow).
- This solution is purely designed for outdoor certified hardware and accessories. Always follow the installation guide from the hardware manufacturer for correct installation.
- This solution is tested to an IP55 rating. This does not include environmental parameters like temperature and humidity. All technologies mounted in our enclosures are subject to hardware manufacturer's own operating standards, specifications and warranty conditions.
- Please don't power the hardware, until the entire solution is fully assembled.
- If these installation instructions are not followed precisely, it could lead to product failure and potential personal injury.
- Ergonomic Solutions / SpacePole Inc. cannot be held responsible for any failure or injury, if the installation instructions are not followed correctly.
- Ergonomic Solutions / SpacePole Inc. cannot be held responsible for any failure or injury, if any modifications have been made to the product by the customer.

## MAINTENANCE

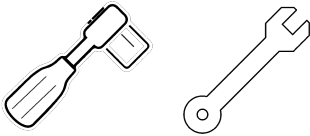
- Any scratches to the surface of the product should be repaired immediately to avoid any corrosion.
- Do not open the outdoor kiosk in bad weather (Rain, storm, snow etc.).
- When the door is open, please keep the back of the screen clear from any water or dust
- It is the responsibility of the customer to periodically check the installation and ensure it is clean, all air ventilation holes are free and all fixings are tightened correctly.
- The drain holes in the solution need to remain open at all times. It is the responsibility of the customer to periodically check and clean these.
- Do not use pressure hoses or high-pressure water jets, garden hoses and sprinklers directly on the enclosure.
- It is recommended to always keep the hardware turned on



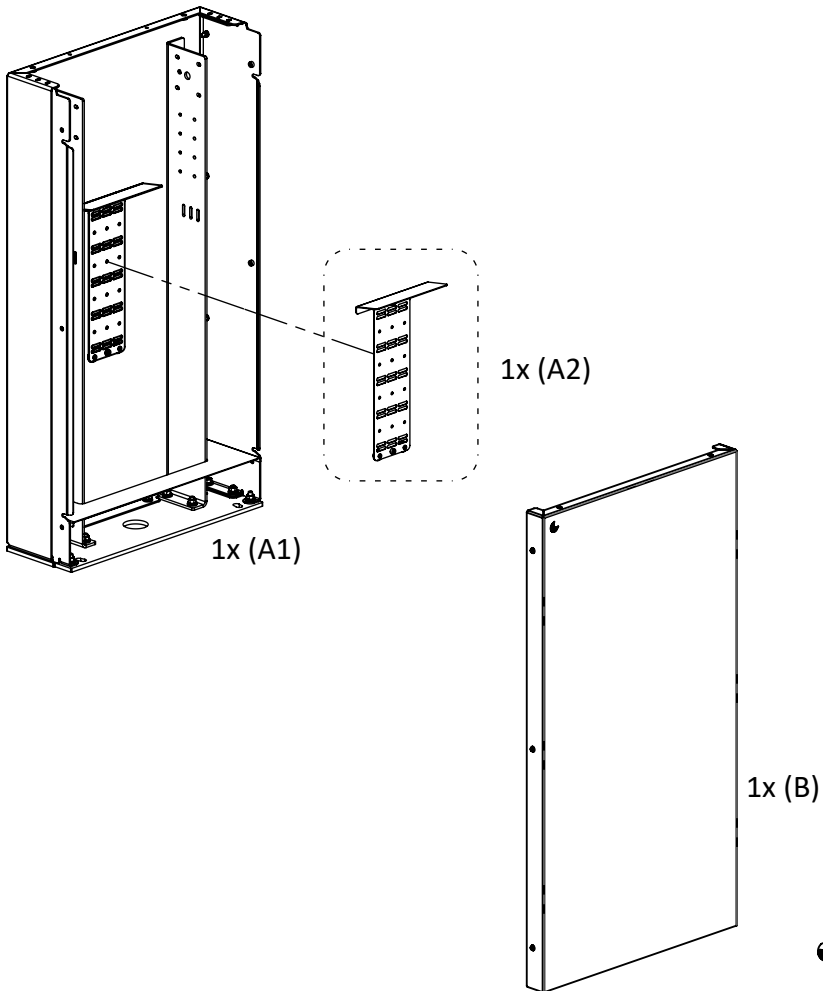
# CLEANING GUIDE

- If the effect of the particular cleaning agent is not known, a preliminary check must be carried out. If the following instructions do not prove successful, the further course of action is to be coordinated with Ergonomic Solutions / SpacePole inc.
- Suitable products:
  1. Neutral aqueous cleaning agents and neutral synthetic detergents or wetting agents are suitable for removing loosely-adhering dirt from coated surfaces.
  2. Mildly acidic, aqueous cleaning agents may be used to remove soiling caused by building work (grout and lime spattering); e.g. table vinegar, diluted 1:1 with water; undiluted for stubborn stains.
  3. It is possible to remove very greasy films with organic solvents, e.g. ethanol, although these should only be allowed to work for a short time. Rubbing can cause the coating to become dull.
  4. Mildly alkaline, aqueous cleaning agents are suitable for cleaning purposes, provided that the corresponding directions for use are observed. The cleaning agents must furthermore conform to the requirements of the regulation governing substances harmful to the environment (substances regulation) of 9 June 1986, appendix 4.2.
- Important: The surfaces to be cleaned are to be cleaned as gently as possible and thoroughly rinsed off with water afterwards, since residue from salts, acids and alkalis can lead to corrosion.
- Never use abrasive cleaning agents!
- Unsuitable products
  1. Highly acidic, aqueous cleaning agents: When using acetic acid, oxalic acid, phosphoric acid, concentrations exceeding 0.5 per cent are not permitted. Other acids, such as hydrochloric acid, sulphuric acid, etc., are not suitable in any concentration.
  2. Highly alkaline, aqueous cleaning agents: All products of this type are prohibited from use as cleaning agents for coatings.
  3. Solvent-based cleaning agents such as ester, ketone (e.g. acetone), glycol ether, benzene, thinners (e.g. NC thinners), stain removers and chlorinated hydrocarbons are unsuitable.
- These recommendations correspond to the current general state of knowledge and do not infer any legal obligations. If in doubt, and in special cases, a preliminary test must always be carried out.

# Tool list

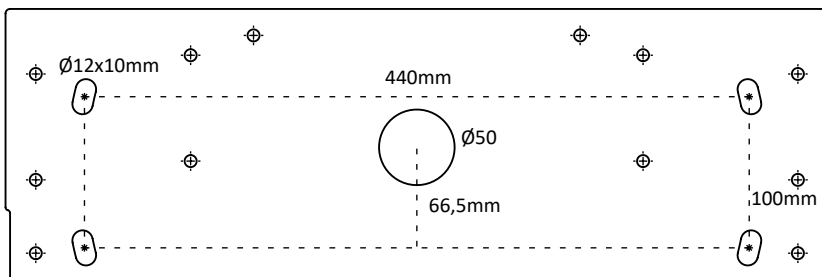
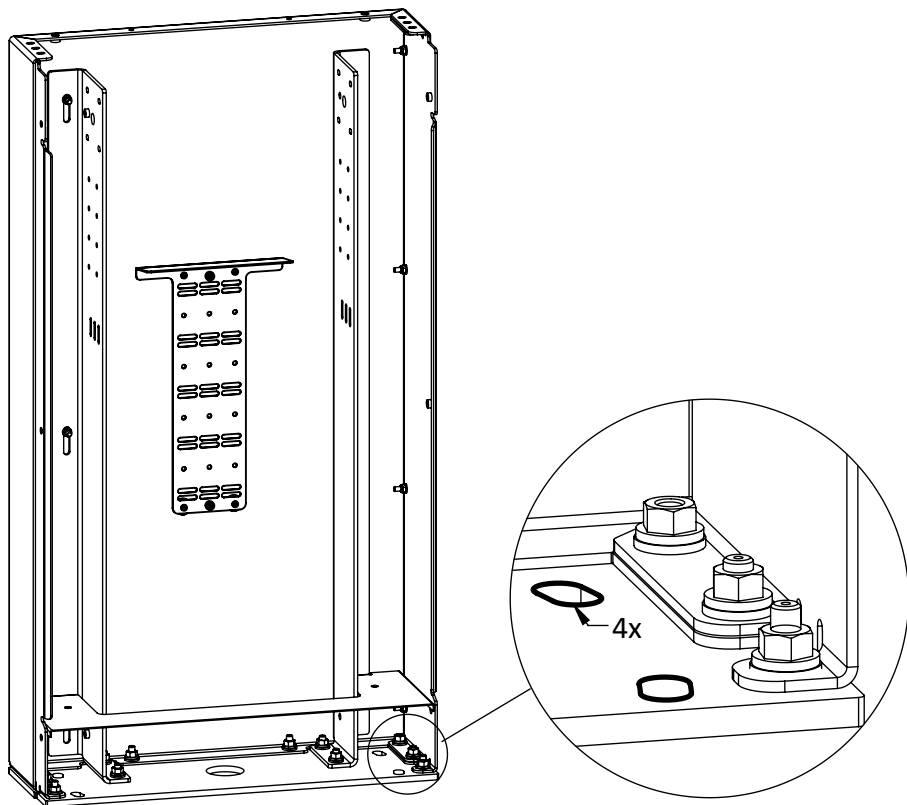


# Box content



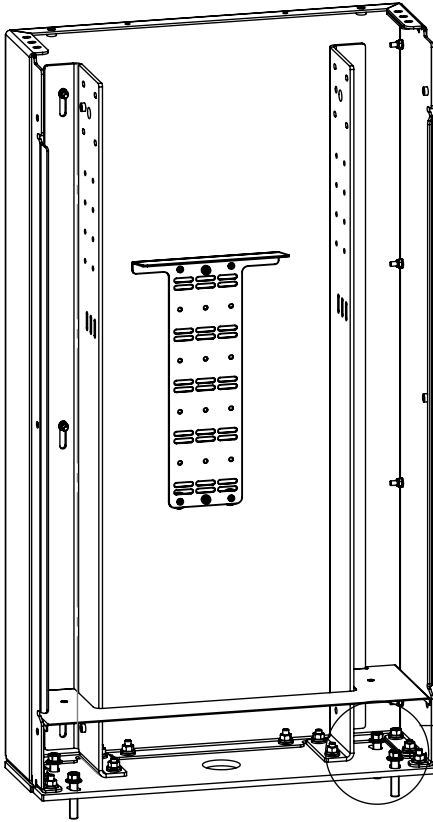
# Steps

## Step 1: Prepare holes & fixing



# Steps

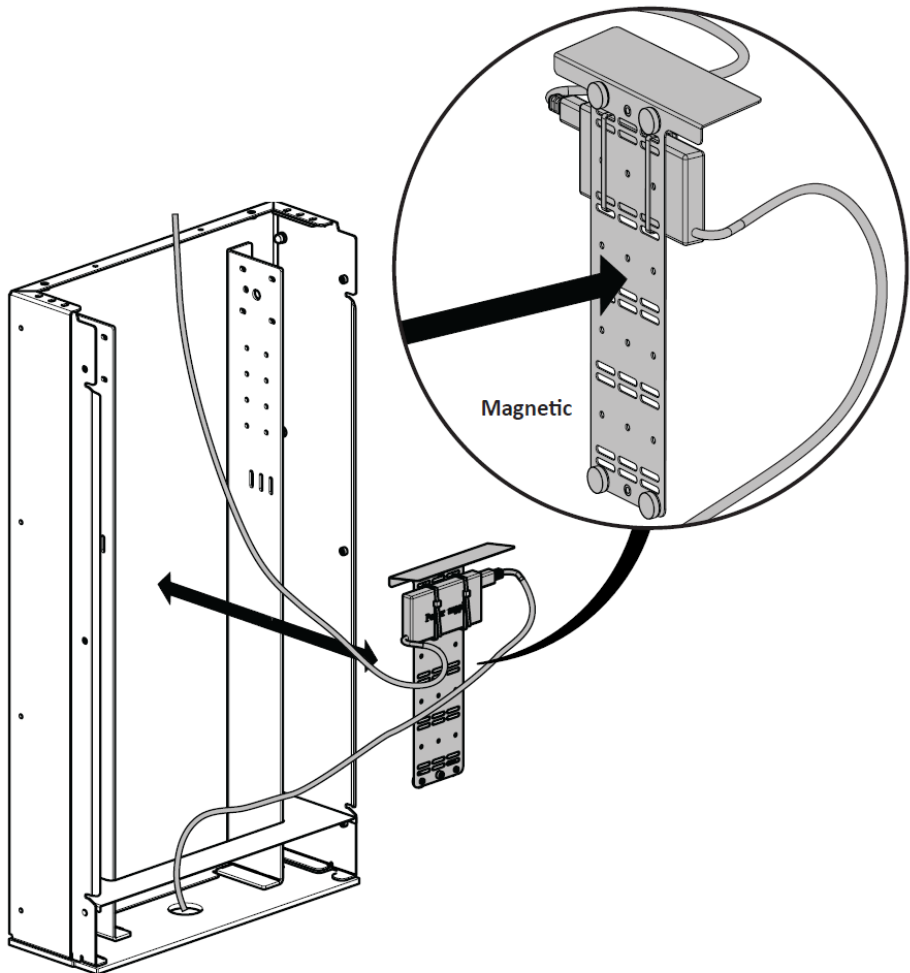
## Step 2: Secure Floorstand to floor



**NB: No fixings supplied. Fixings must be minimum M12 grade 8.8 or equivalent**

# Steps

## Step 3: Cable/PSU management

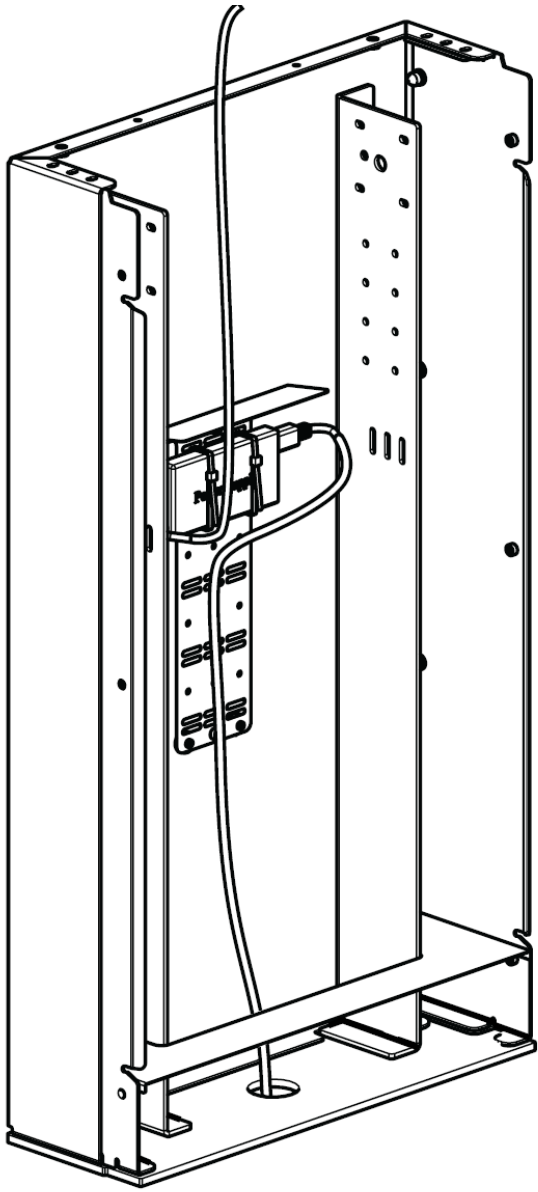


**NB: Magnetic bracket can be placed at desired position. Cables/PSU can be mouted using cable ties or similar**

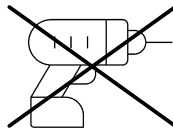
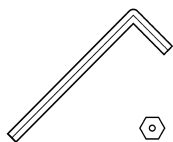


# Steps

## Step 4: Installed

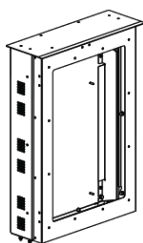


# Tool list

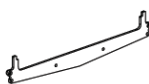


Torque wrench

# Box content



1x (A1)  
Enclosure



2x (A5)  
top/bottom spacer



2x (A6)  
side spacer



20x M6 nut w.  
washer



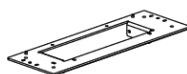
14x Nut



3x M6 stainless  
steel washer



28x M6 washer



1x (A2)  
Transition plate



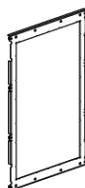
2x M6 x 30mm



12x M6 x 25mm



1x (A3)  
Left top stiffener



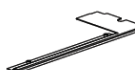
1x (A7)  
Mounting frame



3x M6 x 12mm  
stainless steel



1x (A4)  
Right top stiffener



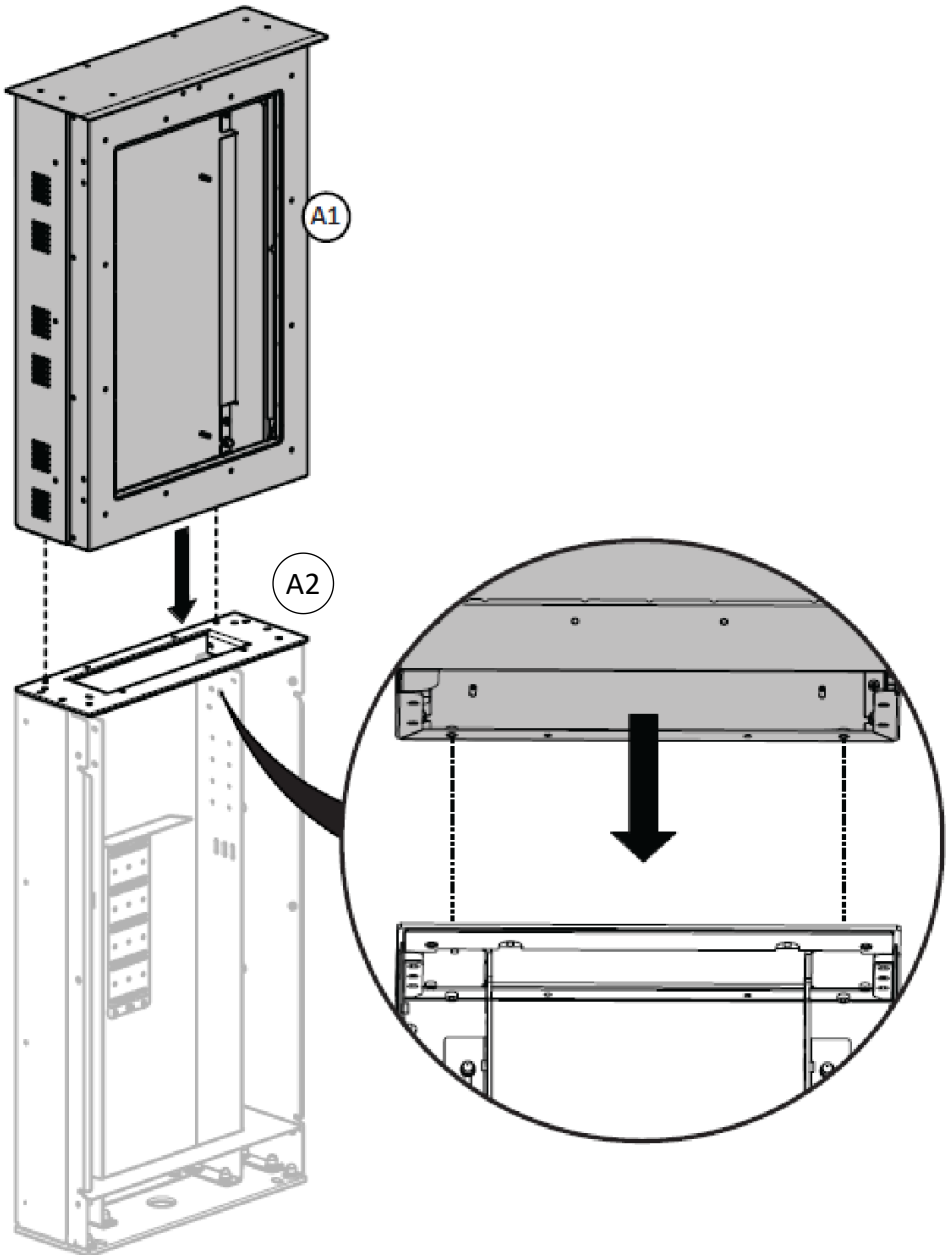
1x (A8)  
Right double floor



1x (A9)  
Left double floor

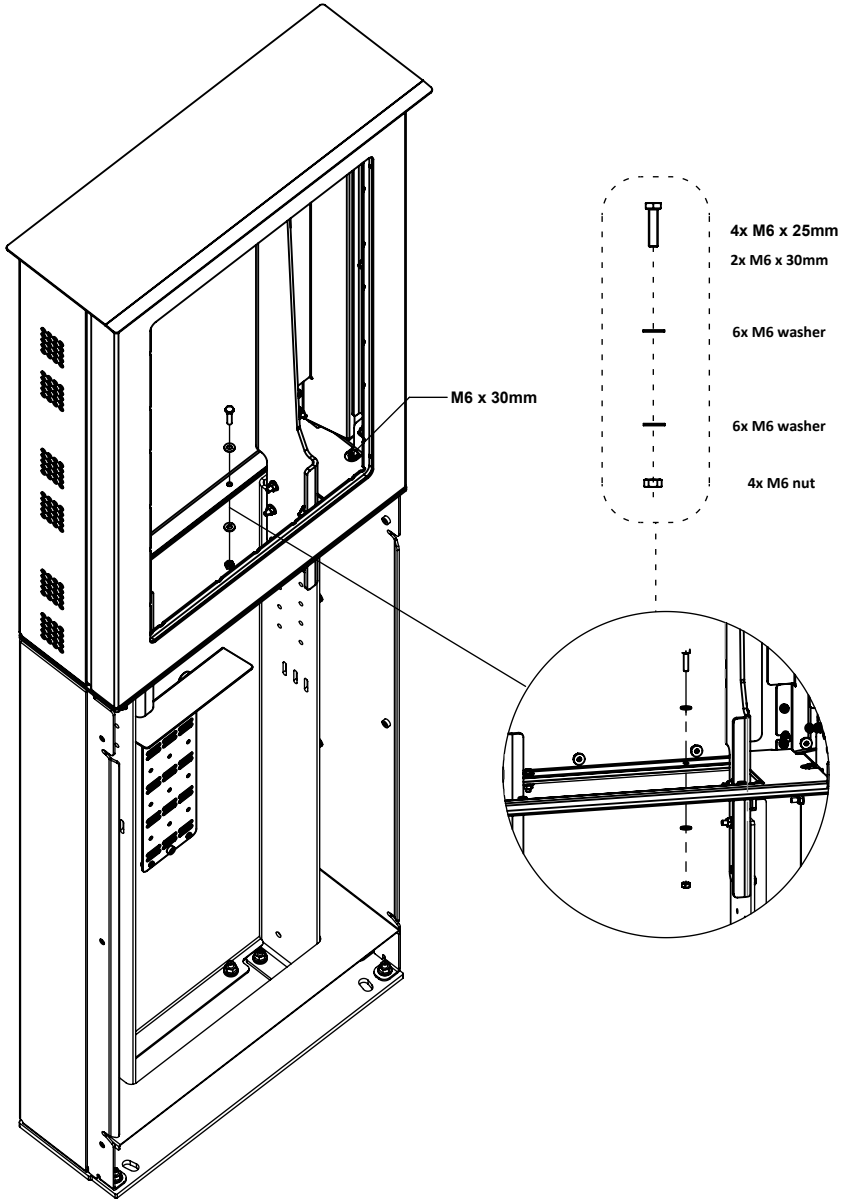
# Steps

Step 5: Place the enclosure on top of transition plate



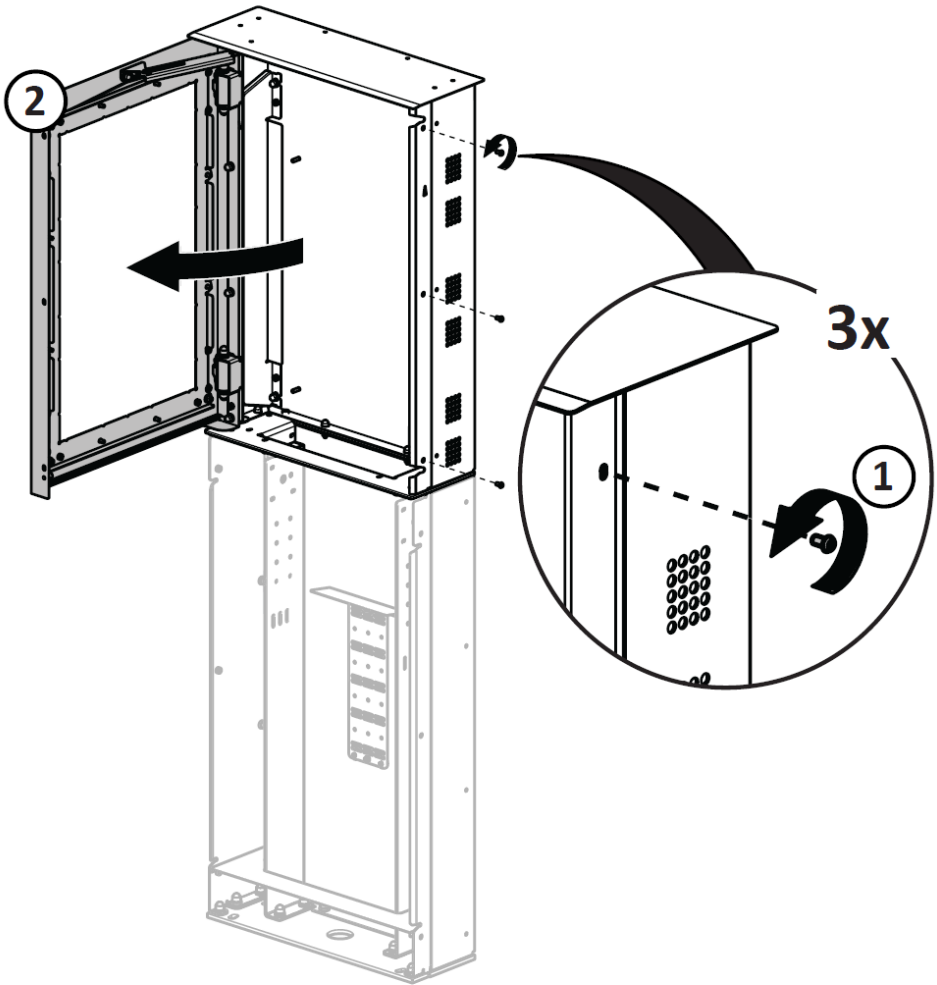
# Steps

## Step 6: Fasten enclosure on top of transition plate



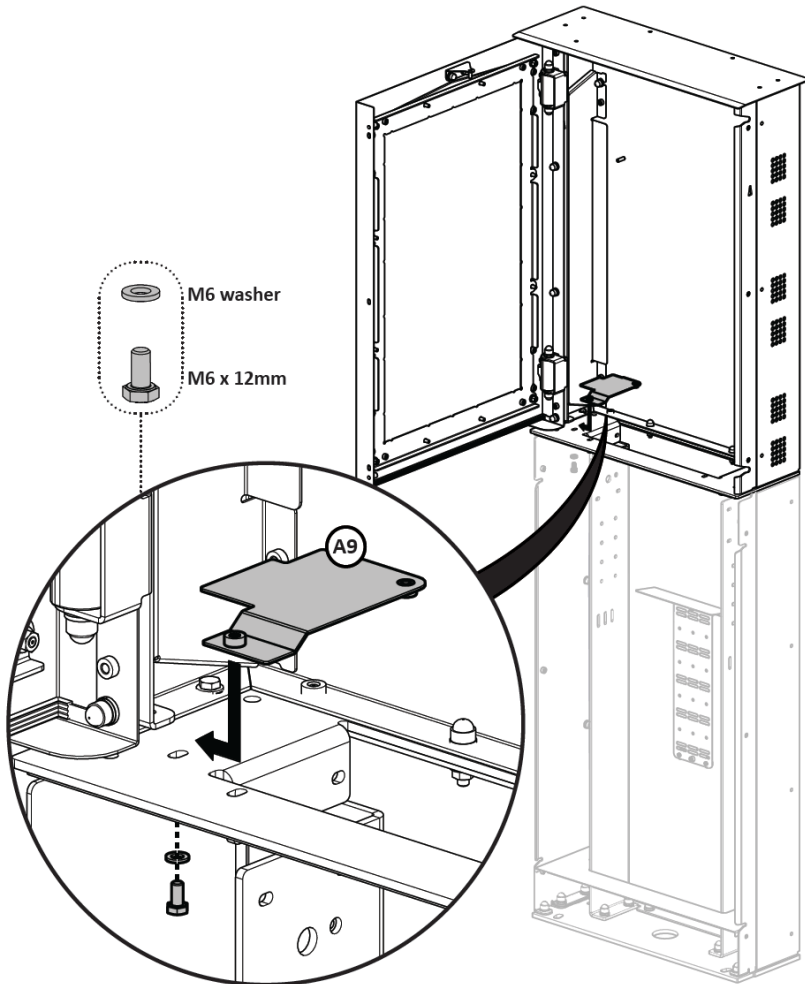
# Steps

Step 7: Unscrew 3x secure Allen screws & open cabinet door



# Steps

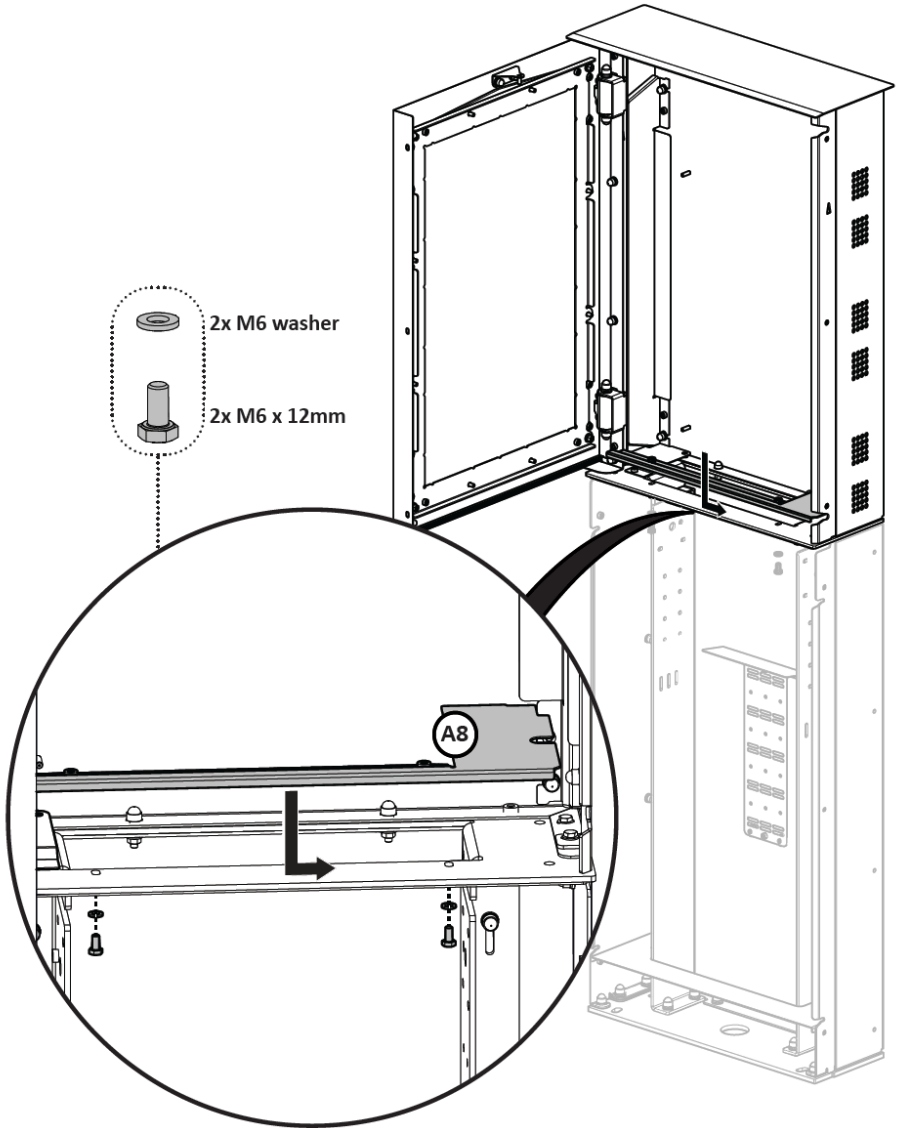
## Step 8: Install the left double floor



**TIGHTEN WITH MAXIMUM 10 Nm OF TORQUE**

# Steps

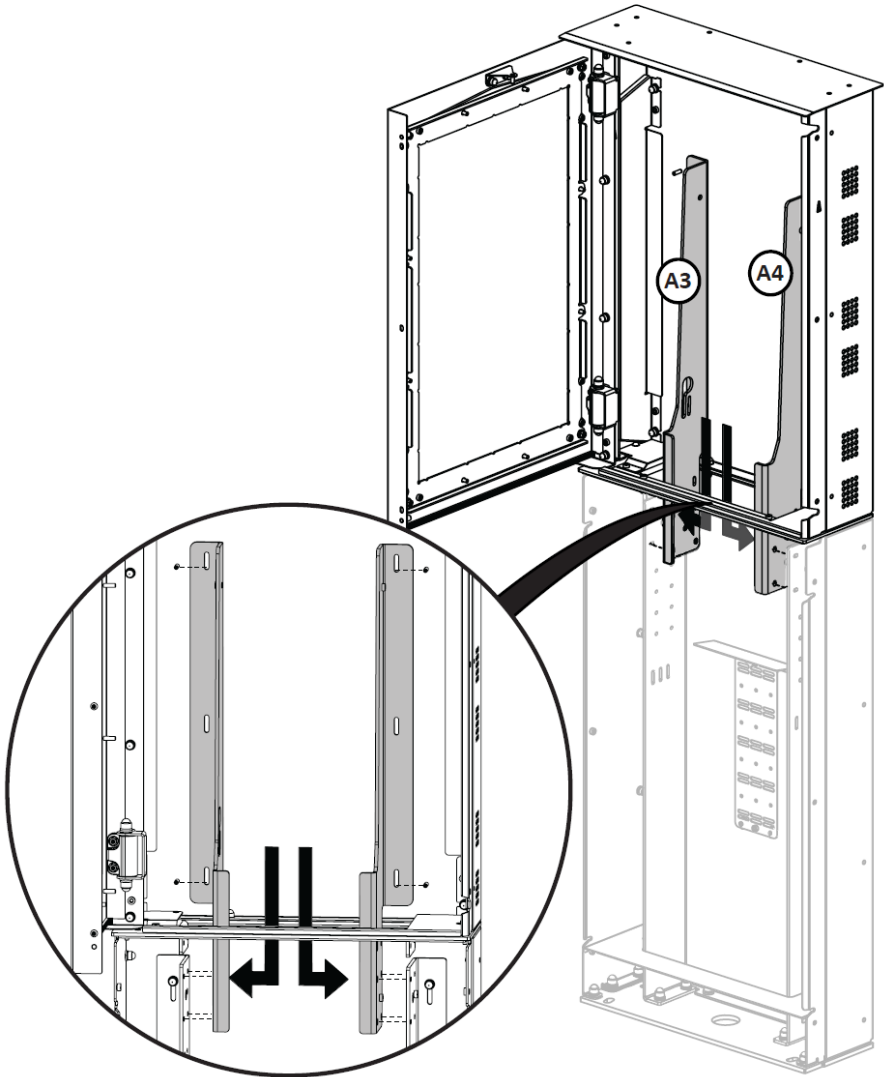
## Step 9: Install the left double floor



**TIGHTEN WITH MAXIMUM 10 Nm OF TORQUE**

# Steps

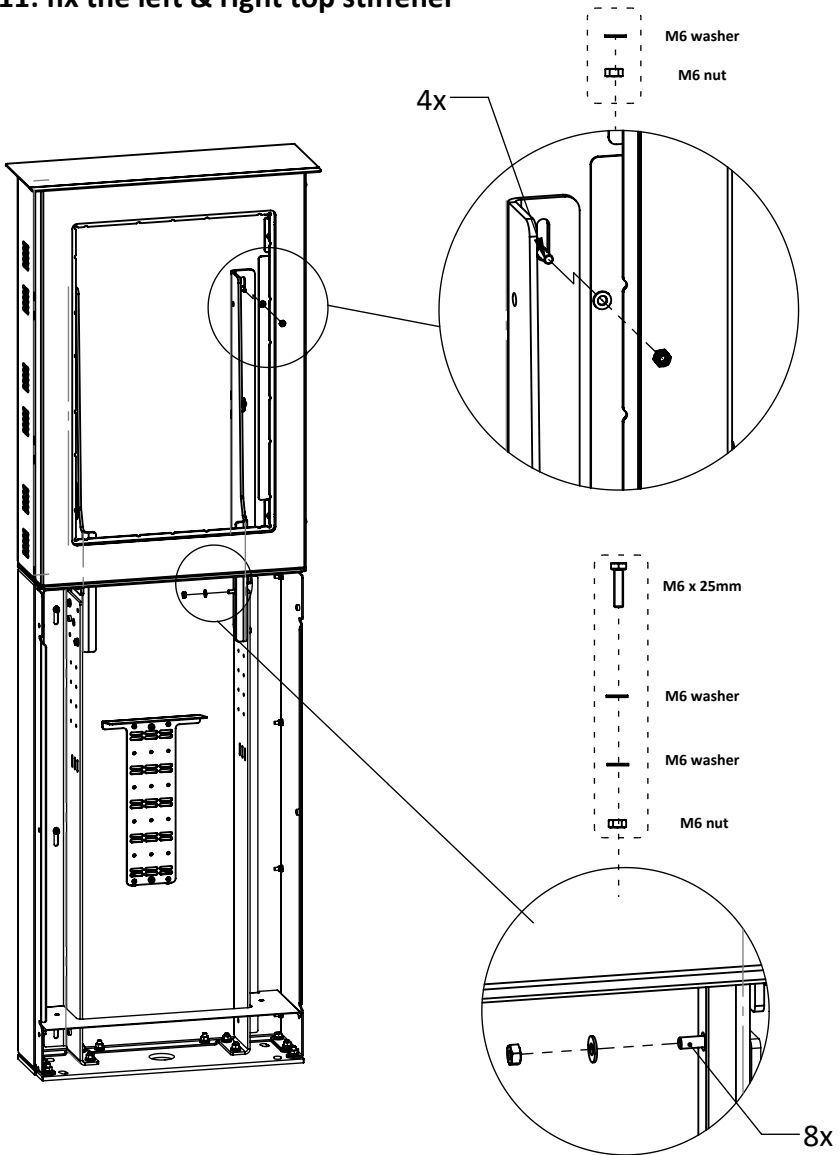
## Step 10: Install the left & right top stiffener





# Steps

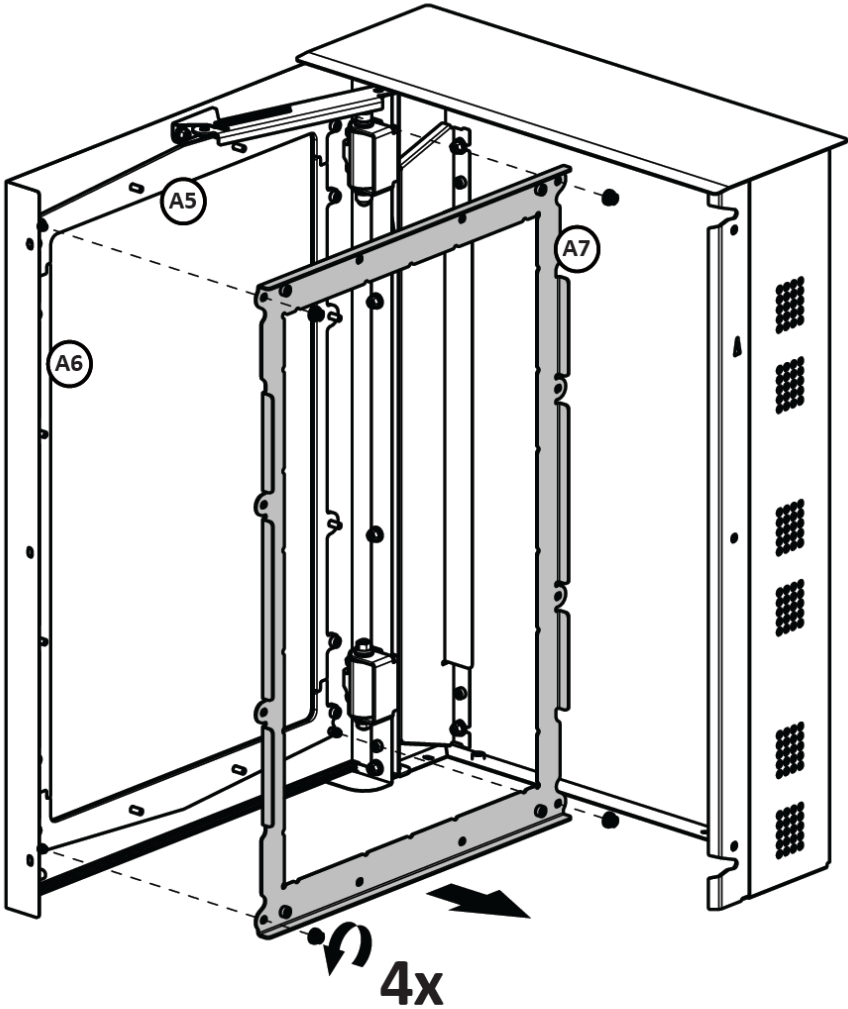
## Step 11: fix the left & right top stiffener



**TIGHTEN WITH MAXIMUM 10 Nm OF TORQUE**

# Steps

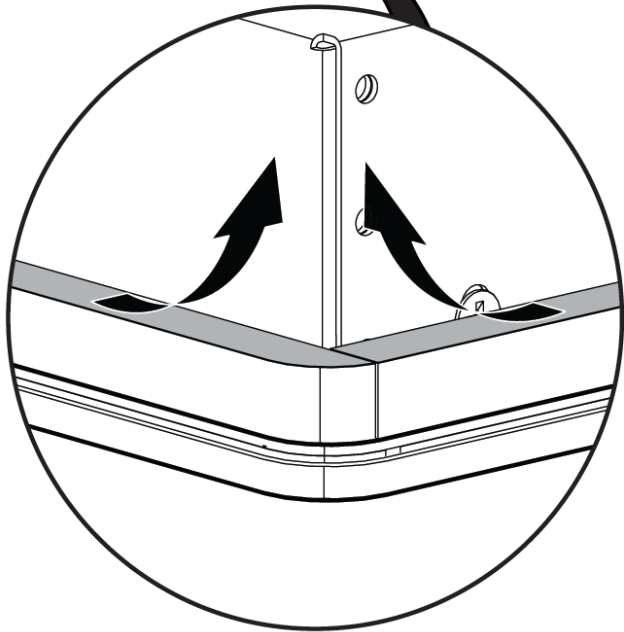
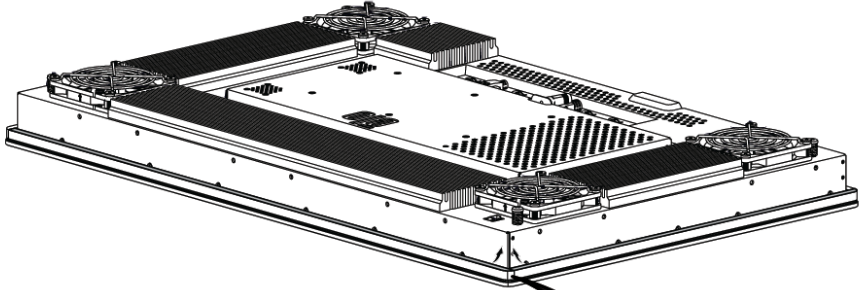
## Step 12: Remove the ELO mounting frame from the enclosure



THE FOLLOWING STEP DISPLAYS HOW TO PREPARE ELO 2799L

# Steps

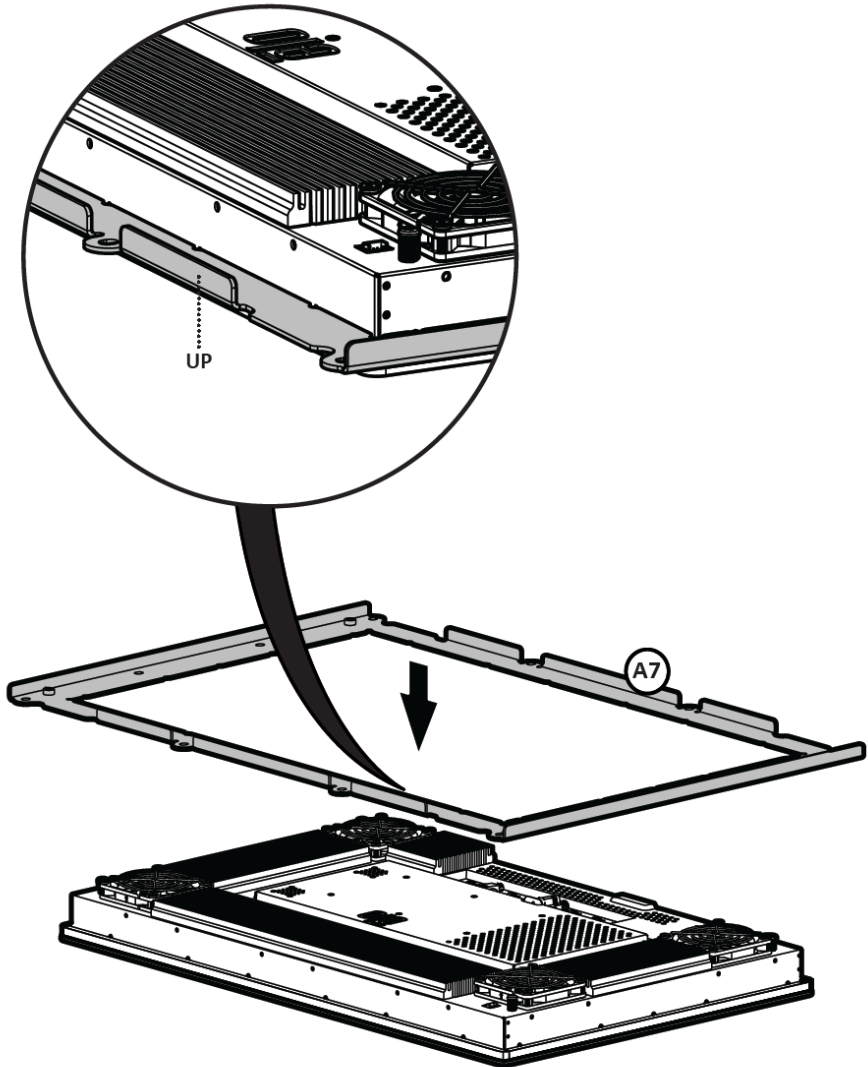
**Step 13: Remove the protective liner from the elo display gasket**



**BE SURE TO PROTECT THE DISPLAY USING A BLANKET OR SIMILAR  
WHILE FACING THE SCREEN DOWNWARDS ON A FLAT SURFACE**

# Steps

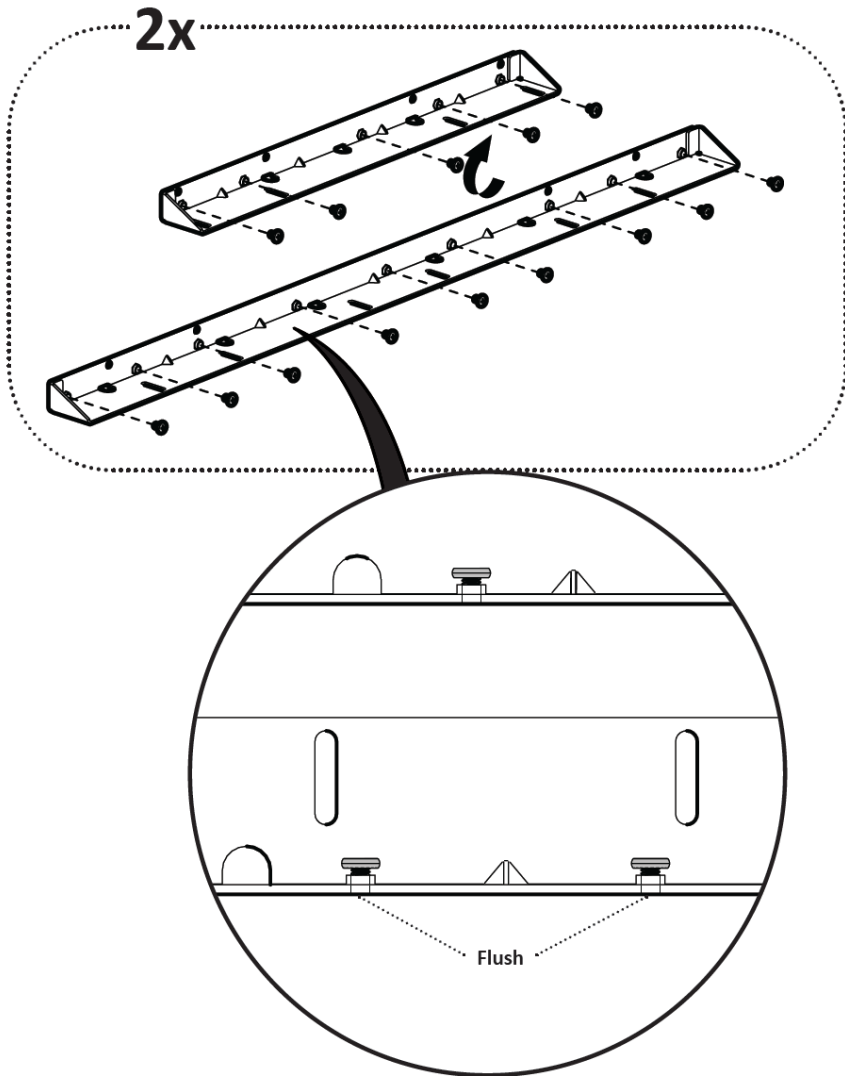
## Step 14: Install the mounting frame for ELO display



THE FOLLOWING STEP DISPLAYS HOW TO PREPARE ELO 2799L

# Steps

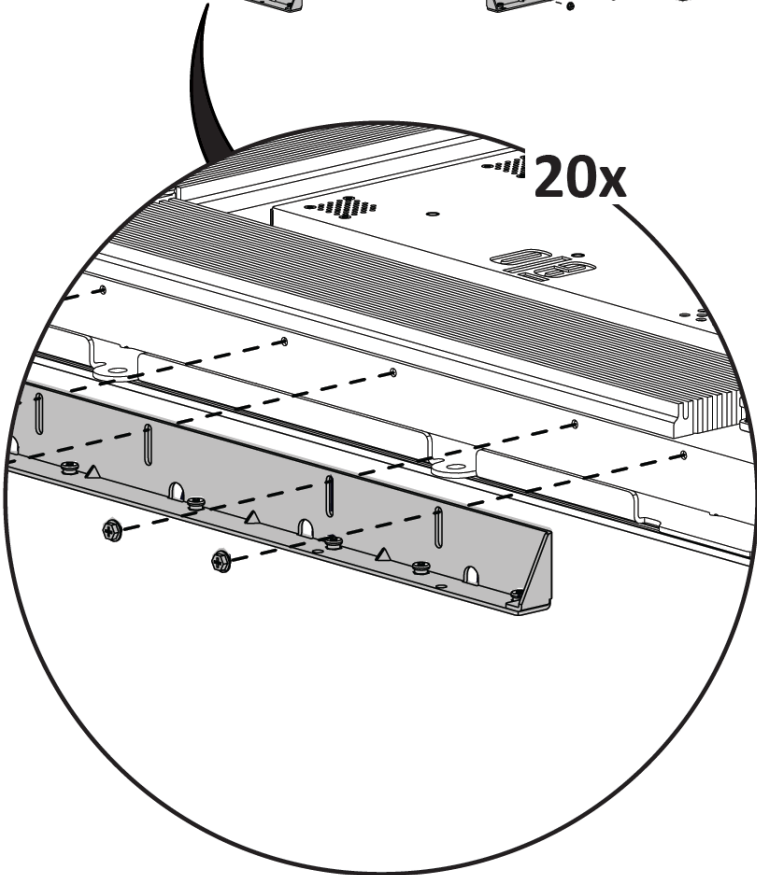
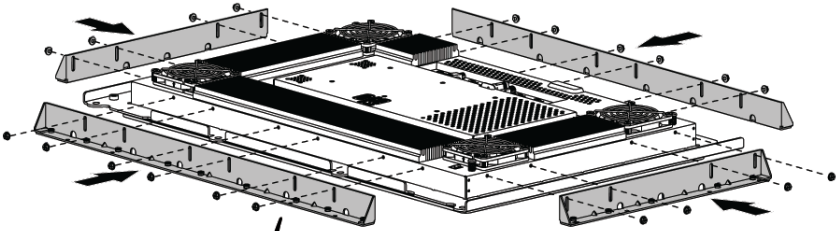
## Step 15: Install screws for the ELO bracket



SCREWS & BRACKETS ARE SUPPLIED WITH THE ELO DISPLAY. MAKE SURE TO INSTALL SCREWS FLUSH WITH THE EDGE

# Steps

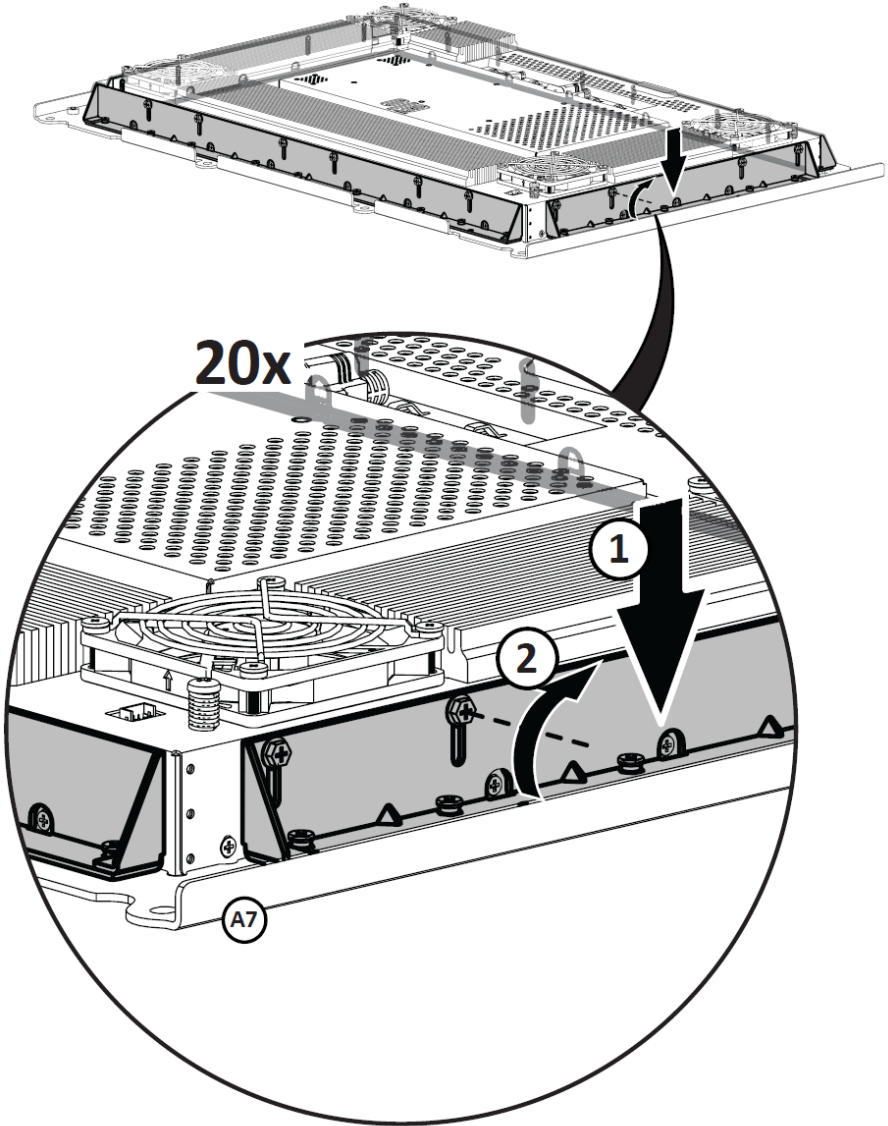
## Step 16: Install elo bracket on to the ELO display



**DO NOT FULLY TIGHTEN SCREWS**

# Steps

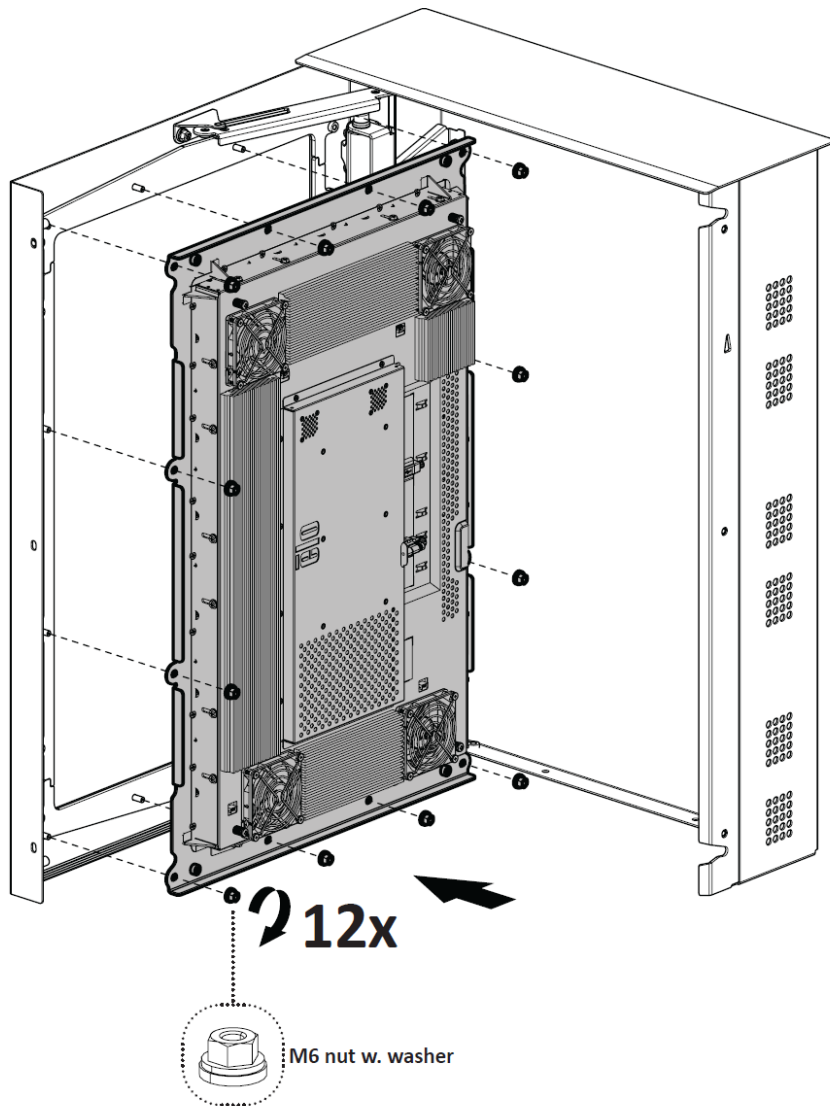
## Step 17: Install ELO display with brackets on to the mounting frame



**WHILE PRESSING DOWN ON THE 4 BRACKETS, FULLY TIGHTEN 20 SCREWS**

# Steps

Step 18: Install the ELO display with brackets on to the door

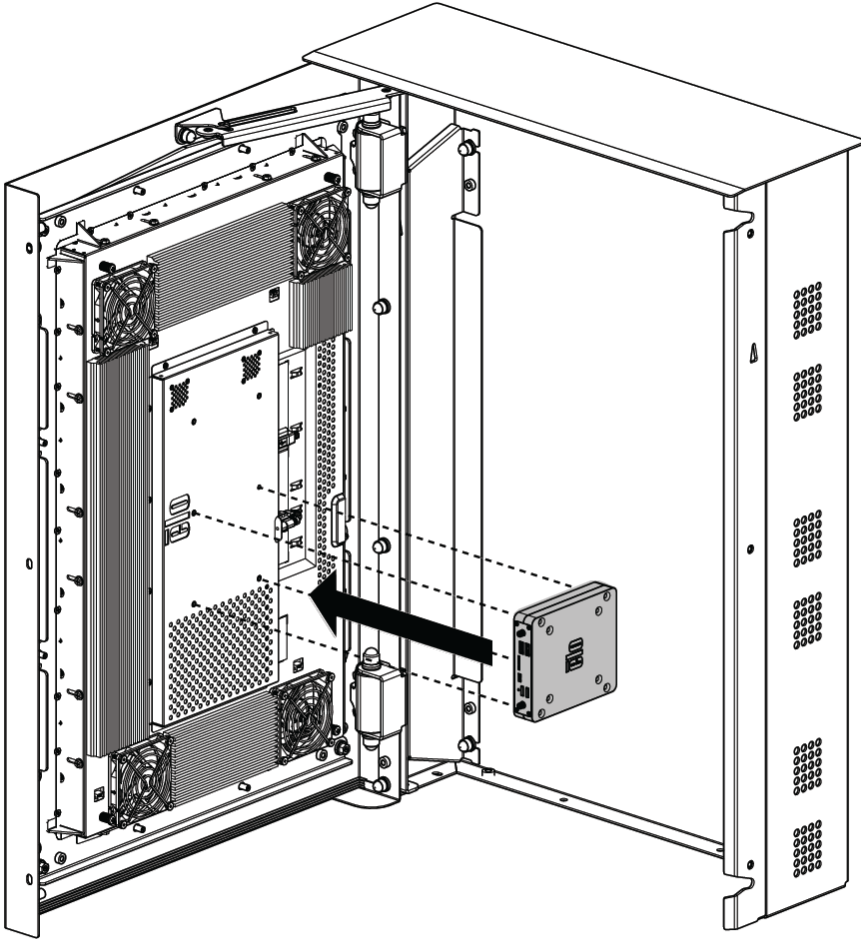


DO NOT TIGHTEN NUTS ABOVE 4 Nm



# Steps

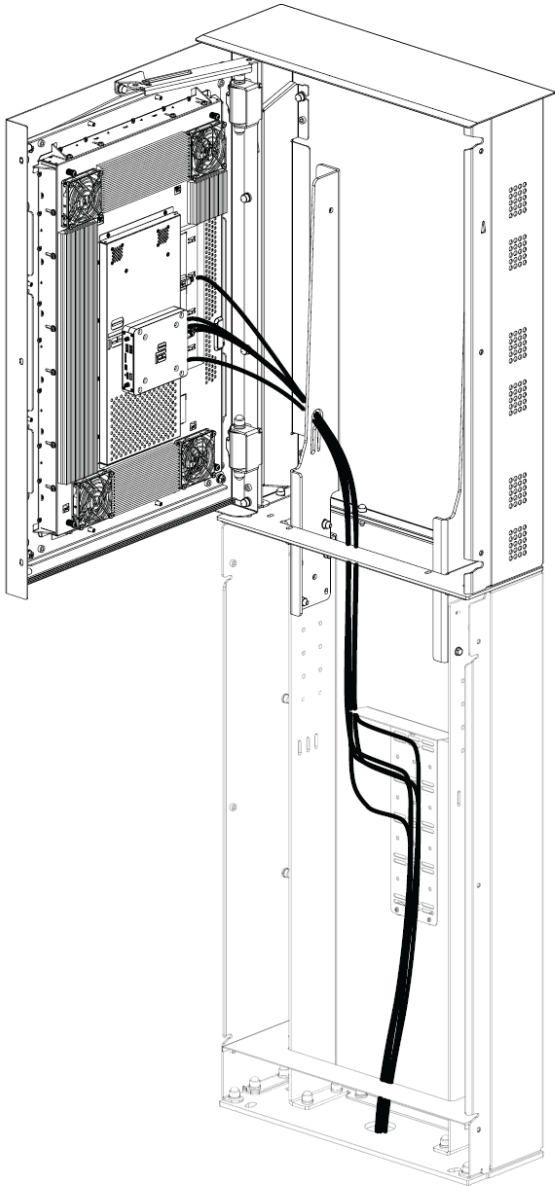
## Step 19: Install the ELO backpack



**ELO BACKPACK SUPPLIED SEPERATELY**

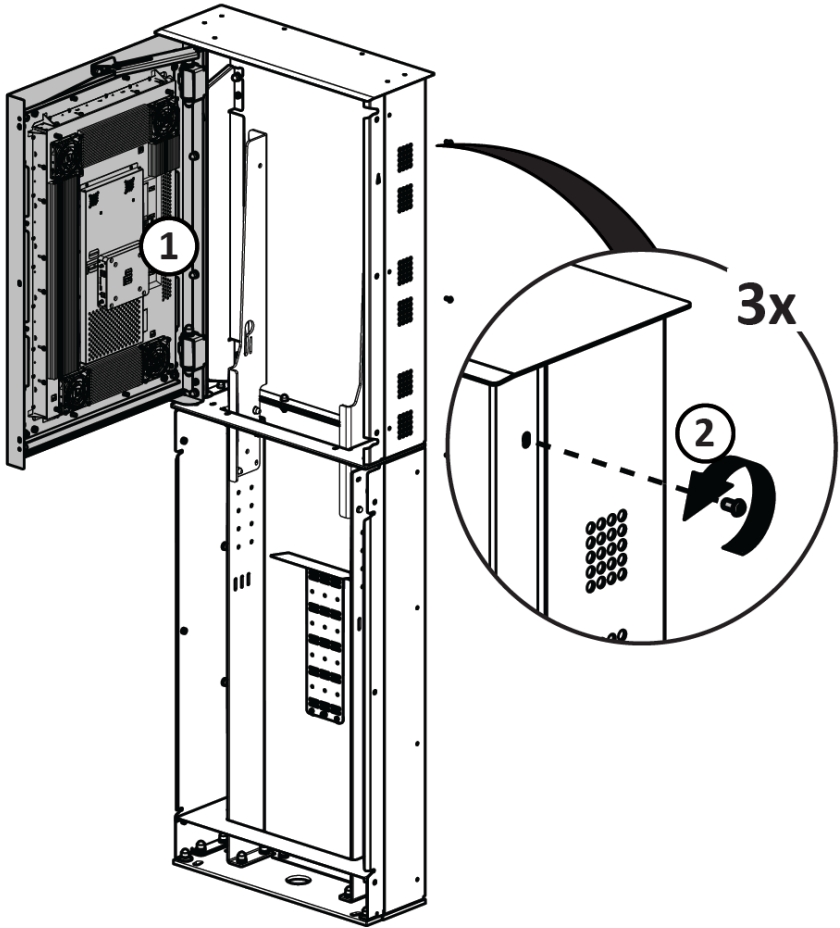
# Steps

## Step 20: Route cables



# Steps

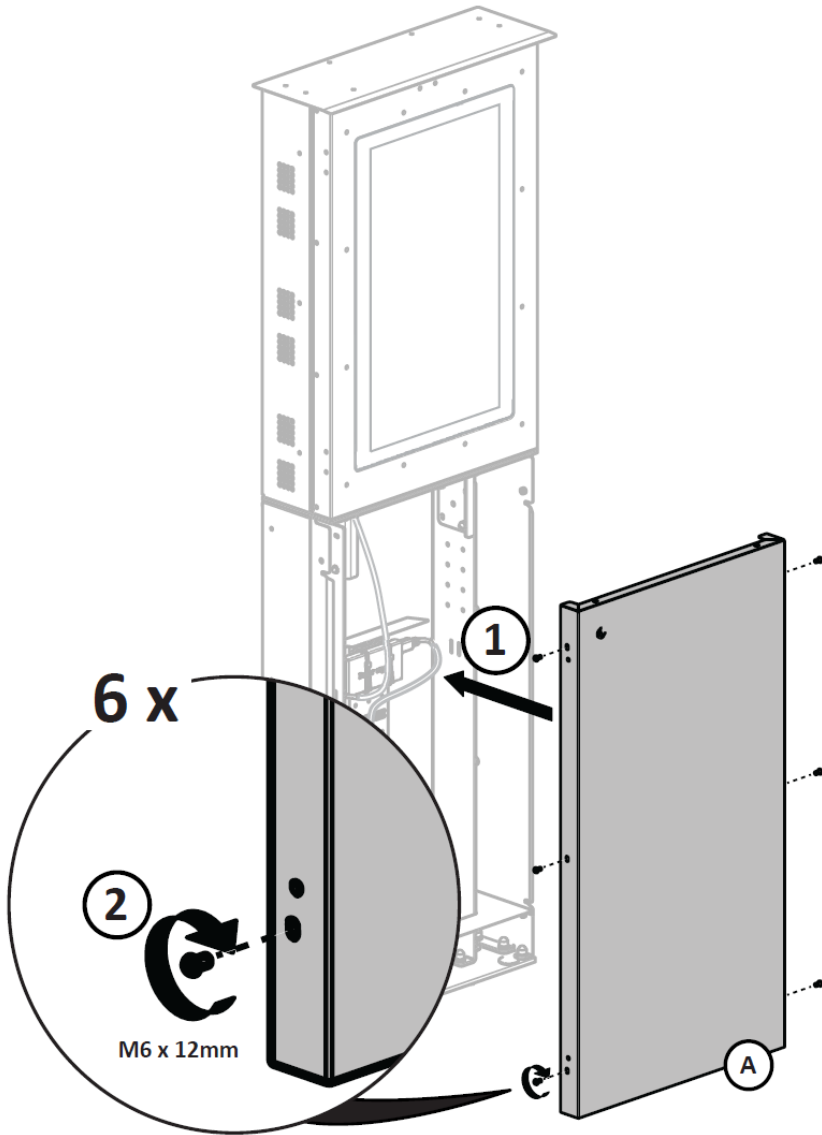
Step 21: Close cabinet door & screw in 3x screws



RECOMMENDED TO USE CABLE TIES TO SECURE CABLES TO SCREEN & CABINET. ENSURE ENOUGH SLACK FOR THE DOOR TO OPEN

# Steps

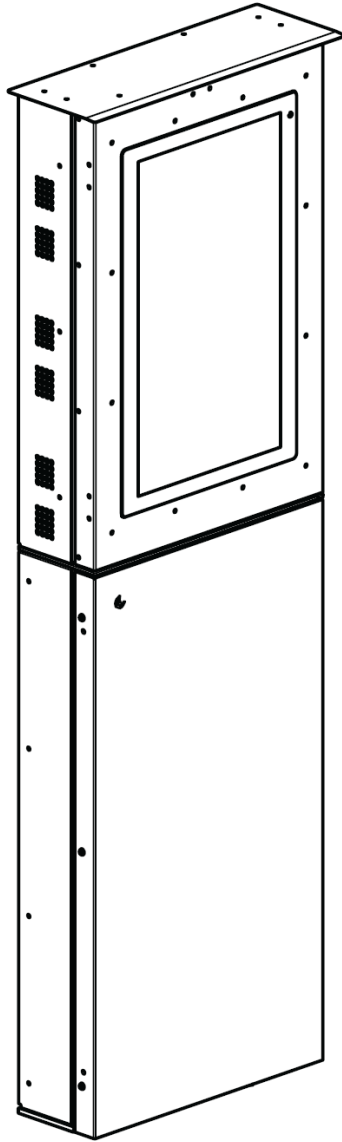
## Step 22: Secure frontplate



**NB: Make sure it is fully installed**

# Steps

## Step 23: Installed



*This page intentionally left blank*

*This page intentionally left blank*

**Need help? Contact us**



[ergonomic.solutions/about/contact-us](https://ergonomic.solutions/about/contact-us)

[spacepole.com/about/contact-us](https://spacepole.com/about/contact-us)